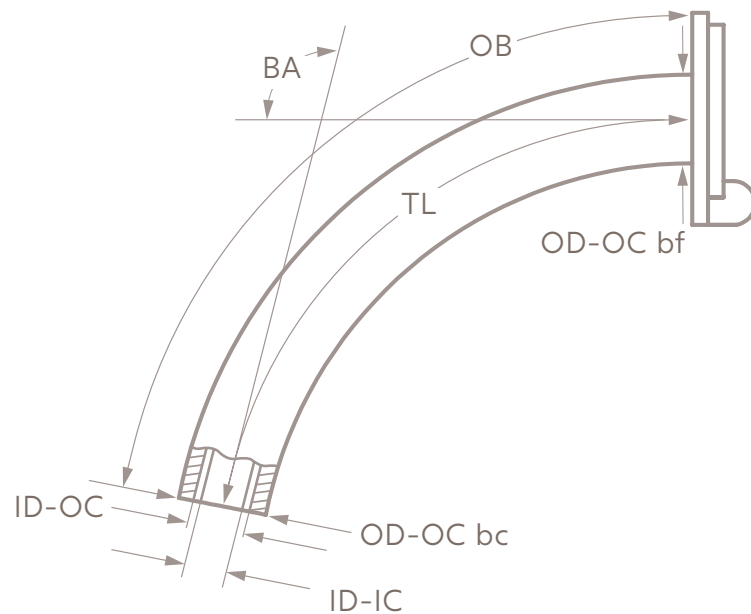


Technical Data

Tracoe Comfort Plus



Size	ID-OC	OD-OC bc	OD-OC bf	ID-IC	TL	OB	BA
mm	mm	mm	mm	mm	mm	mm	e°
07	7.0	8.8	10.5	5.8	81	87	100
08	8.0	10.2	11.3	6.8	84	91	100
09	9.0	11.6	12.6	7.6	86	94	100
10	10.0	12.0	13.7	8.7	88	97	100
11	11.0	13.5	15.0	9.7	91	100	100

ID-OC: inner diameter (clear width) at bottom of outer cannula;
OD-OC bc: outer diameter at bottom of outer cannula; **OD-OC bf:** outer diameter of outer cannula behind the flange; **ID-IC:** inner diameter at bottom of inner cannula; **TL:** length along center line from start of neck flange to bottom of tube; **OB:** length along outer bend (greatest length); **BA:** bending angle

Please be aware when switching a patient from another tube type in a certain size to one of the Tracoe Comfort tubes, the outer and inner diameter should be considered.